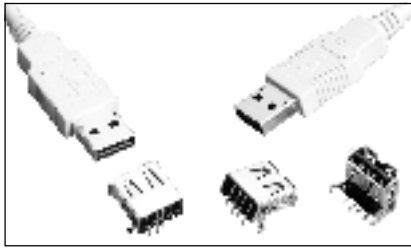
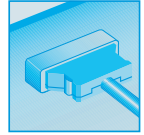


CABLE-TO-BOARD CONNECTORS

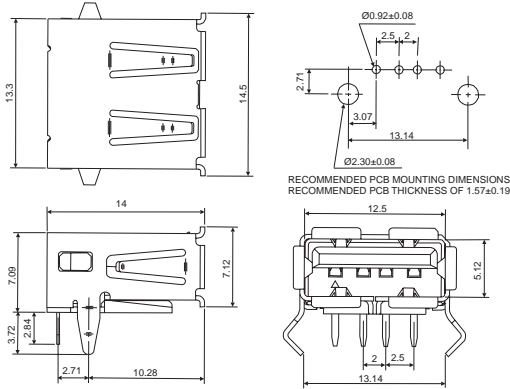
UNIVERSAL SERIAL BUS CONNECTORS



Technical Information

Current rating: 1A/Contact
Insulation resistance: 1000MΩ min at 500V DC.
Contact resistance: 30mΩ max
Voltage rating: 30V AC (RMS)
Withstanding voltage: 750V AC for 1 min.
Insulator: PBT resin, UL94-0, Black
Contact: Copper Alloy / Gold over Nickel plating
Tail: Tin-Lead plating
Shell: Copper alloy or Steel / Tin-Lead plating

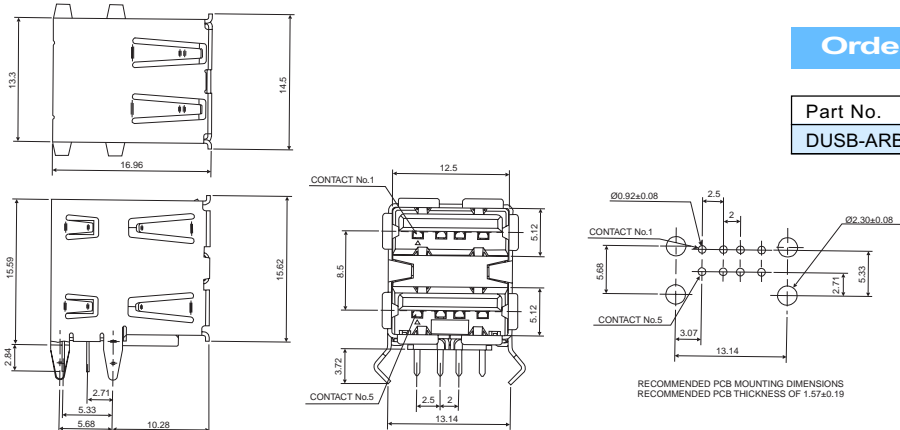
■ USB A Type Receptacle (DDK)



Ordering Information

Part No.
DUSB-ARA42-T11A

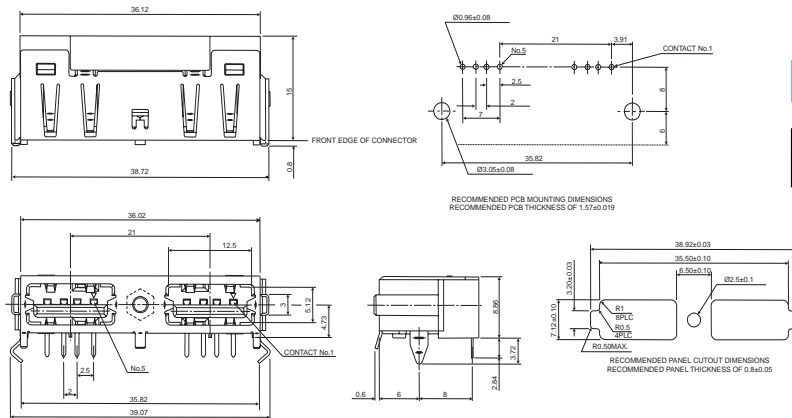
■ USB A Type Double Decker Style Receptacle (DDK)



Ordering Information

Part No.
DUSB-ARB82-T11A

■ USB A Type Side by Side Style Receptacle (DDK)



Ordering Information

Part No.
DUSB-ARC82-T11A(D1)

SELWYN ELECTRONICS
 PHONE: 01732 - 765100

