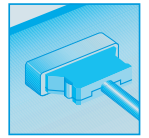


# CABLE-TO-BOARD CONNECTORS



## IDC SOCKETS & HEADERS

### Technical Information

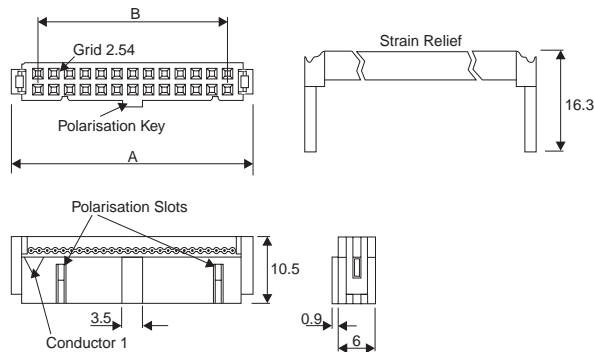
Positive, reliable connection between 1.27mm pitch ribbon cable and PCB mounted headers or 0.635mm round or square pins on 2.54 x 2.54 grid, without pre-stripping the cable. Provides maximum polarisation and pin protection.



UL Recognised  
 Single U contacts  
 Strain relief optional  
 Selectively plated  
 Tin/lead plated solder tails  
 Straight and right angled versions

**Insulator:** ..... Glass filled Polyester, UL94V-O  
**Contact:** ..... Copper Alloy  
**Current rating:** ..... 1A  
**Operating temp.:** ..... -40°C to +145°C  
**Cable size:** ..... 26 & 28 AWG  
**Plating:** ..... Contact- 0.5µm Gold over Nickel  
 ..... Terminal- 3µm Tin over Nickel

### IDC Female With Centre Key (ODU)



Height of connector terminated with the strain relief fitted is 16.3mm.

No. of Contacts	A	B
10	17.3	10.16
14	22.4	15.24
16	24.9	17.78
20	30.0	22.86
26	37.6	30.48
34	47.8	40.64
40	55.4	48.26
50	68.1	60.96
60	80.8	73.66
64	85.8	78.74

#### Ordering Information

517 - **XXX** - 009 - **0XX**  
 TAB 1 TAB 2

#### TAB 1

095 - Open cover without strain relief.  
 096 - Open cover with strain relief.

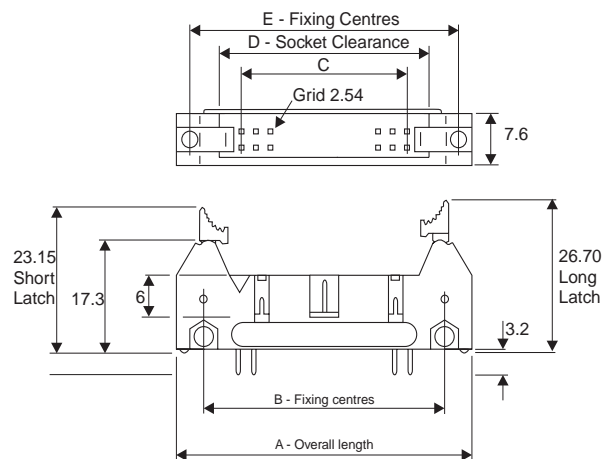
#### TAB 2 - No. of Pins

10, 14, 16, 20, 26, 34, 40, 50, 60, 64

### IDC Latched Headers (ODU)

No. of Contacts	A	B	C	D	E
10	32.0	21.8	18.05	10.16	27.9
14	37.1	27.0	23.15	15.24	33.0
16	39.6	29.6	25.65	17.78	35.6
20	44.7	34.5	30.75	22.86	40.6
26	52.3	42.2	38.35	30.48	48.3
34	62.5	52.4	48.55	40.64	58.4
40	70.1	60.0	56.15	48.26	66.0
50	82.8	72.7	68.85	60.96	78.7
60	95.5	85.4	81.55	73.60	91.4
64	100.6	90.5	86.63	78.70	96.5

Recommended pcb hole size is Ø0.9mm.



#### Ordering Information

511 - **X XX** - 009 - **0XX**  
 TAB 1 TAB 2 TAB 3

#### TAB 1 - Pin Style

0 - Straight  
 2 - Right Angle

#### TAB 2 - Body Style

60 - Without Latches  
 61 - Short Latches  
 62 - Long Latches

#### TAB 3 - No. of Pins

10, 14, 16, 20, 26, 34, 40, 50, 60, 64

SELWYN ELECTRONICS

PHONE: 01732 - 765100

