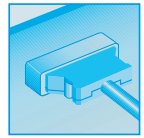


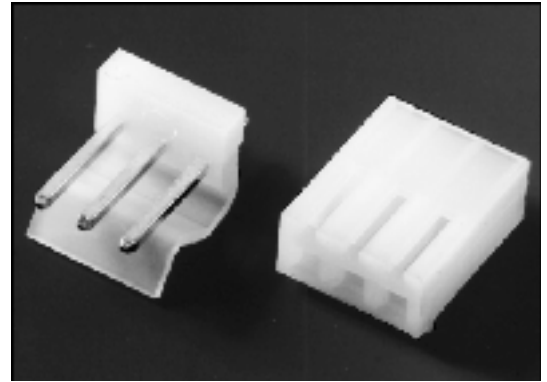
CABLE-TO-BOARD CONNECTORS

LATCHING 025 SERIES



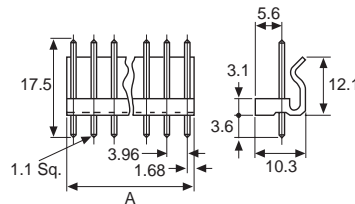
Technical Information

Current rating: 7 Amps.
Contacts: Copper Alloy
Insulator: Nylon-66 UL94V-O
Contact resistance: 20 mΩ max.
Insulation resistance: 500 K Megohms Min.
Temperature range: -40°C to +105°C

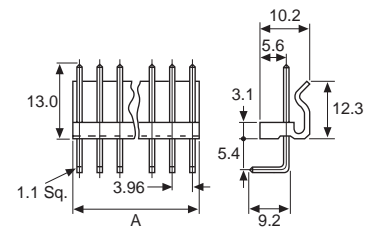


Locking Headers & Housings, 3.96mm Pitch

Straight Version



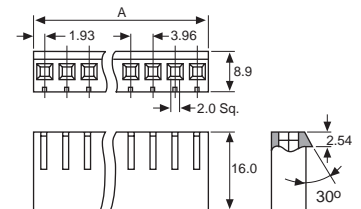
Right Angle Version



Ordering Information

No. of Ways	Straight Header Part No.	Right Angle Header Part No.	A	Housing Part No.	A
2	WKH-N02A1T-L	WKH-R02A1T-L	7.56	WKH-C02A	7.92
3	WKH-N03A1T-L	WKH-R03A1T-L	11.52	WKH-C03A	11.79
4	WKH-N04A1T-L	WKH-R04A1T-L	15.48	WKH-C04A	15.75
5	WKH-N05A1T-L	WKH-R05A1T-L	19.44	WKH-C05A	19.71
6	WKH-N06A1T-L	WKH-R06A1T-L	23.40	WKH-C06A	23.67
7	WKH-N07A1T-L	WKH-R07A1T-L	27.36	WKH-C07A	27.64
8	WKH-N08A1T-L	WKH-R08A1T-L	31.32	WKH-C08A	31.60
9	WKH-N09A1T-L	WKH-R09A1T-L	35.28	WKH-C09A	35.56
10	WKH-N10A1T-L	WKH-R10A1T-L	39.24	WKH-C10A	36.52
11	WKH-N11A1T-L	WKH-R11A1T-L	43.20	WKH-C11A	43.48
12	WKH-N12A1T-L	WKH-R12A1T-L	47.16	WKH-C12A	47.45

Housing

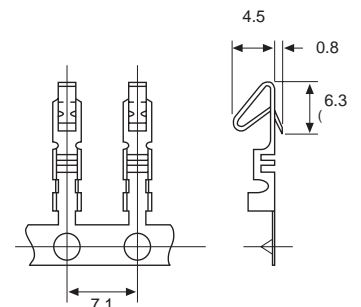


Crimp Terminal

Ordering Information

WKH-CAT-T

Supplied loose, contact the Sales Office for reel details if required.



SELWYN ELECTRONICS
PHONE: 01732 - 765100

