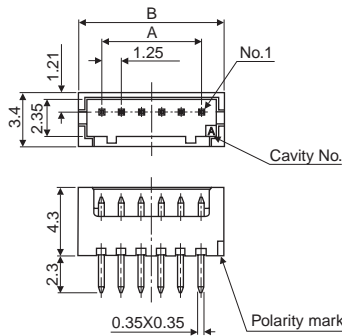


CABLE-TO-BOARD CONNECTORS

1.25mm Pitch Connectors

Single Row Straight Pin Header (Hirose)

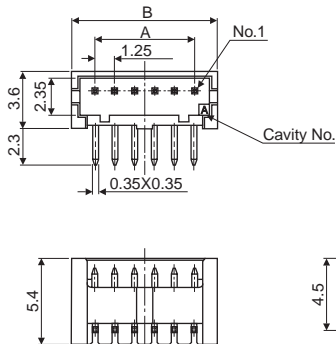


(XX):- Plating Specification
Blank: Tin Plated, 100pcs per pack

Ordering Information

| No. of Contacts | Part No. | A | B |
|-----------------|----------------------|-------|-------|
| 2 | DF13-2P-1.25DSA(XX) | 1.25 | 4.15 |
| 3 | DF13-3P-1.25DSA(XX) | 2.50 | 5.40 |
| 4 | DF13-4P-1.25DSA(XX) | 3.75 | 6.65 |
| 5 | DF13-5P-1.25DSA(XX) | 5.00 | 7.90 |
| 6 | DF13-6P-1.25DSA(XX) | 6.25 | 9.15 |
| 7 | DF13-7P-1.25DSA(XX) | 7.50 | 10.40 |
| 8 | DF13-8P-1.25DSA(XX) | 8.75 | 11.65 |
| 9 | DF13-9P-1.25DSA(XX) | 10.00 | 12.90 |
| 10 | DF13-10P-1.25DSA(XX) | 11.25 | 14.15 |
| 11 | DF13-11P-1.25DSA(XX) | 12.50 | 15.40 |
| 12 | DF13-12P-1.25DSA(XX) | 13.75 | 16.65 |
| 14 | DF13-14P-1.25DSA(XX) | 16.25 | 19.15 |
| 15 | DF13-15P-1.25DSA(XX) | 17.50 | 20.40 |

Single Row Right Angle Pin Header (Hirose)

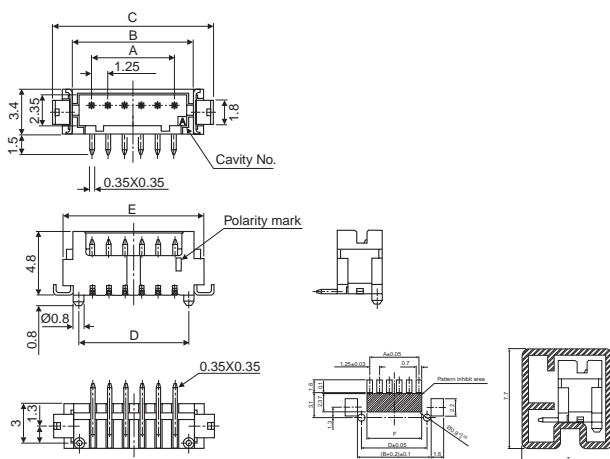


(XX):- Plating Specification
(20): Tin Plated, magazine packaged
Note 1: Packaged in magazine sockets in integral multiples of the amount shown

Ordering Information

| No. of Contacts | Part No. | A | B | Note 1 |
|-----------------|---------------------|-------|-------|--------|
| 2 | DF13-2P-1.25DS(XX) | 1.25 | 4.15 | 115 |
| 3 | DF13-3P-1.25DS(XX) | 2.50 | 5.40 | 89 |
| 4 | DF13-4P-1.25DS(XX) | 3.75 | 6.65 | 72 |
| 5 | DF13-5P-1.25DS(XX) | 5.00 | 7.90 | 61 |
| 6 | DF13-6P-1.25DS(XX) | 6.25 | 9.15 | 52 |
| 7 | DF13-7P-1.25DS(XX) | 7.50 | 10.40 | 46 |
| 8 | DF13-8P-1.25DS(XX) | 8.75 | 11.65 | 41 |
| 9 | DF13-9P-1.25DS(XX) | 10.00 | 12.90 | 37 |
| 10 | DF13-10P-1.25DS(XX) | 11.25 | 14.15 | 34 |
| 11 | DF13-11P-1.25DS(XX) | 12.50 | 15.40 | 31 |
| 12 | DF13-12P-1.25DS(XX) | 13.75 | 16.65 | 29 |
| 14 | DF13-14P-1.25DS(XX) | 16.25 | 19.15 | 25 |
| 15 | DF13-15P-1.25DS(XX) | 17.50 | 20.40 | 23 |

Single Row Straight Pin Header SMT (Hirose)



Ordering Information

| No. of Contacts | Part No. | A | B | C | D | E | F | Note 1 |
|-----------------|--------------------|-------|-------|-------|-------|-------|-------|--------|
| 2 | DF13-2P-1.25V(XX) | 1.25 | 4.15 | 7.15 | 3.35 | 5.65 | 1.95 | 67 |
| 3 | DF13-3P-1.25V(XX) | 2.50 | 5.40 | 8.40 | 4.60 | 6.90 | 3.20 | 57 |
| 4 | DF13-4P-1.25V(XX) | 3.75 | 6.65 | 9.65 | 5.85 | 8.15 | 4.45 | 49 |
| 5 | DF13-5P-1.25V(XX) | 5.00 | 7.90 | 10.90 | 7.10 | 9.40 | 5.70 | 44 |
| 6 | DF13-6P-1.25V(XX) | 6.25 | 9.15 | 12.15 | 8.35 | 10.65 | 6.95 | 39 |
| 7 | DF13-7P-1.25V(XX) | 7.50 | 10.40 | 13.40 | 9.60 | 11.90 | 8.20 | 36 |
| 8 | DF13-8P-1.25V(XX) | 8.75 | 11.65 | 14.65 | 10.85 | 13.15 | 9.45 | 33 |
| 9 | DF13-9P-1.25V(XX) | 10.00 | 12.90 | 15.90 | 12.10 | 14.40 | 10.70 | 30 |
| 10 | DF13-10P-1.25V(XX) | 11.25 | 14.15 | 17.15 | 13.35 | 15.65 | 11.95 | 28 |
| 11 | DF13-11P-1.25V(XX) | 12.50 | 15.40 | 18.40 | 14.60 | 16.90 | 13.20 | 26 |
| 12 | DF13-12P-1.25V(XX) | 13.75 | 16.65 | 19.65 | 15.85 | 18.15 | 14.45 | 24 |
| 14 | DF13-14P-1.25V(XX) | 16.25 | 19.15 | 22.15 | 18.35 | 20.65 | 16.95 | 21 |
| 15 | DF13-15P-1.25V(XX) | 17.50 | 20.40 | 23.40 | 19.60 | 21.90 | 18.20 | 20 |

(XX):- Plating Specification
(20): Tin Plated, magazine packaged
(50): Gold Plated, magazine packaged
Note 1: Packaged in magazine sockets in integral multiples of the amount shown



SELWYN ELECTRONICS

PHONE: 01732 - 765100