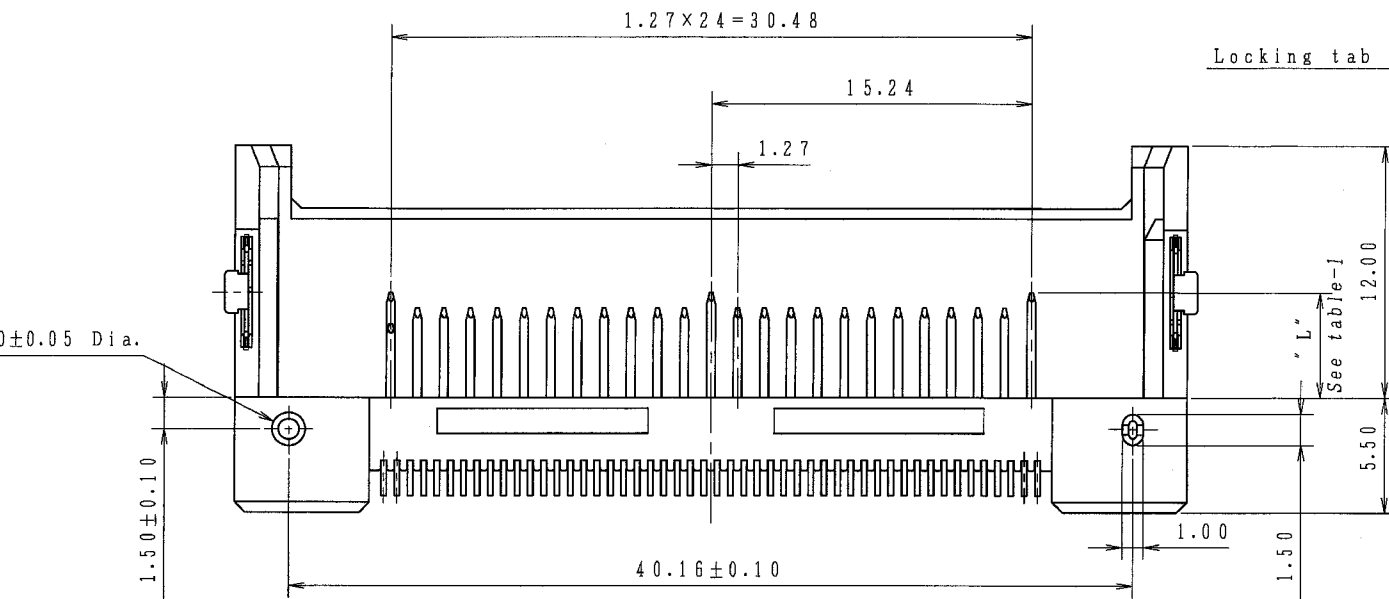
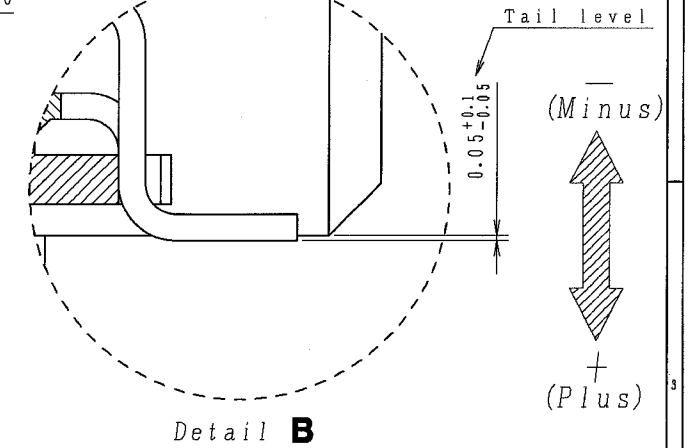
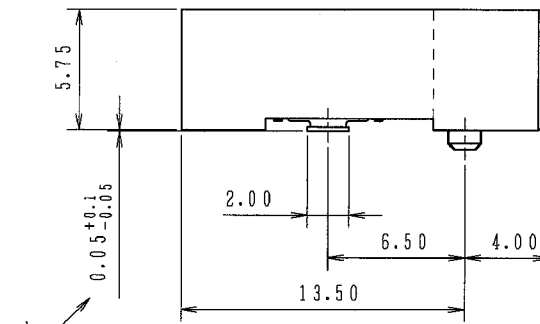
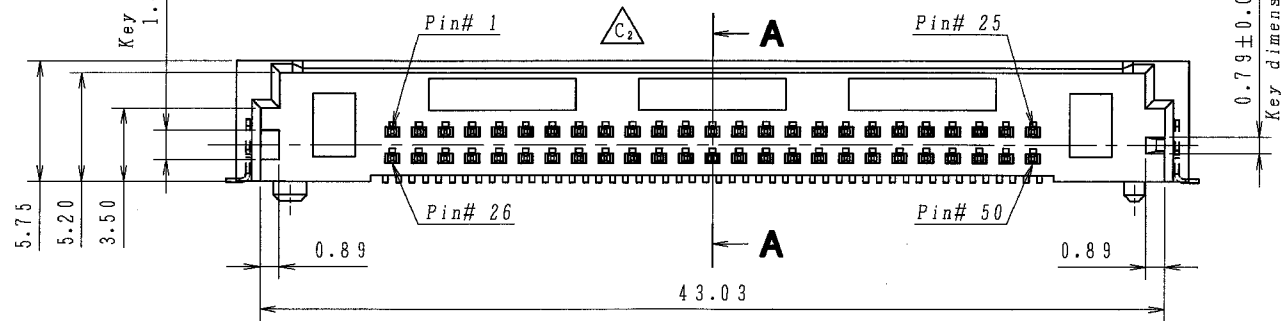
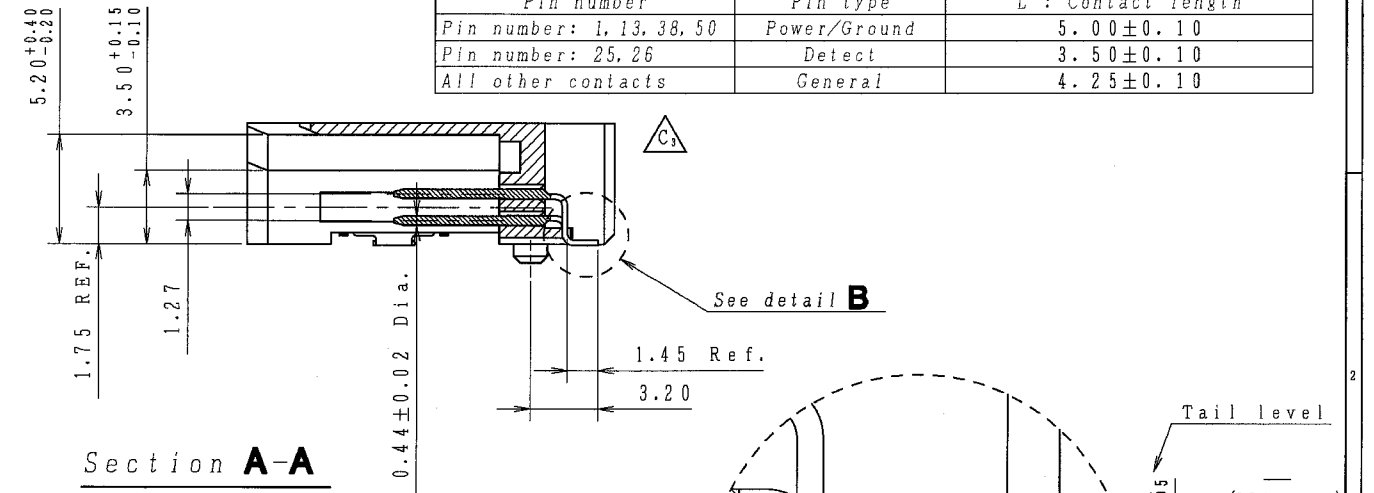
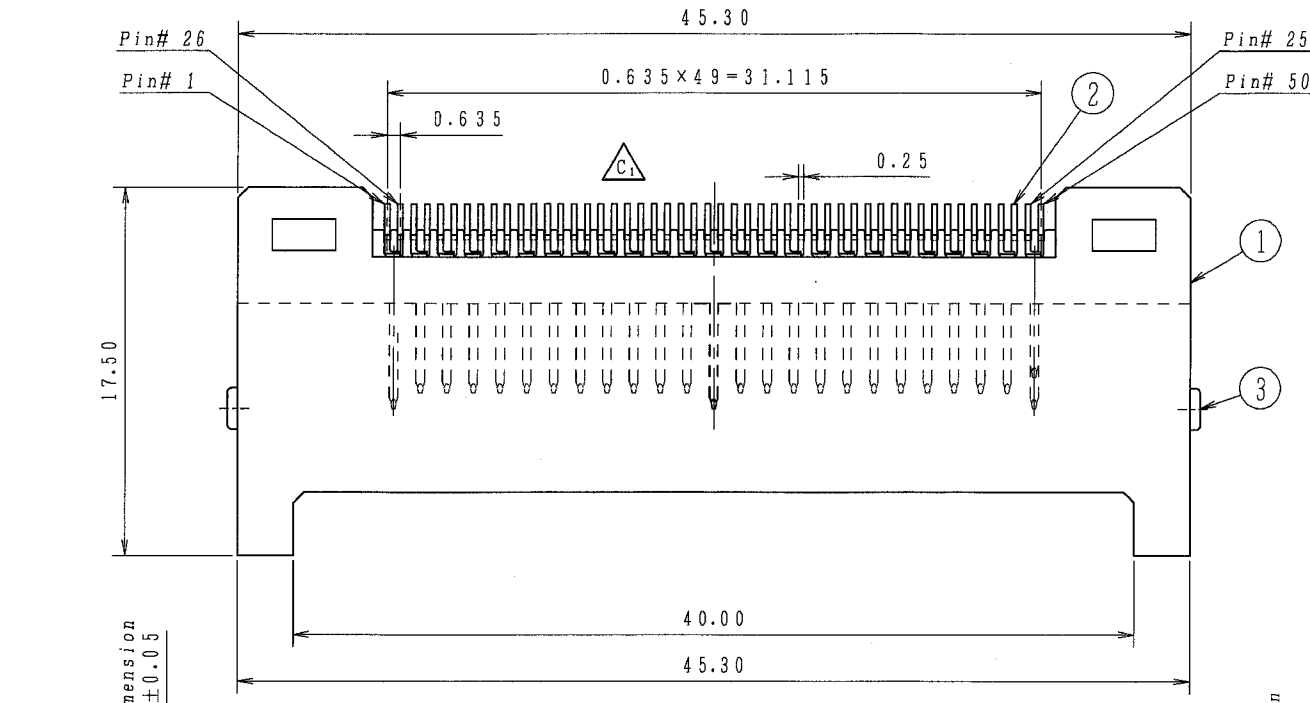


SYM	DATE	ZONE	DESCRIPTION	DESIGNED	CHECKED	APPROVED DATE
A	Dec. 23, 2002		Initial Issued			
B	Mar. 24, 2003		Changed contact plating	F. Kawamata	S. Kuboi	Mar. 24, 2003
C	May. 23, 2003		Changed void space	T. Masubuchi	S. Kuboi	May 23, 2003

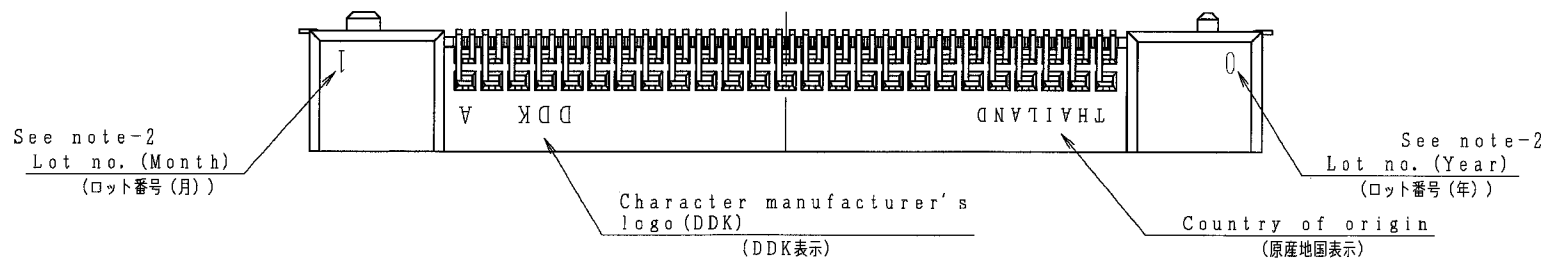
Table-1 (Pin configuration)

Pin number	Pin type	L : Contact length
Pin number: 1, 13, 38, 50	Power/Ground	5.00±0.10
Pin number: 25, 26	Detect	3.50±0.10
All other contacts	General	4.25±0.10



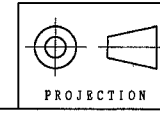
Note (注記)

- Applicable card type (適合コンパクトフラッシュカードタイプ)
This pin header can mate both CF card type-1 and type-2.
(本ピンコネクタは、コンパクトフラッシュカードタイプ1及びタイプ2と嵌合出来ます。)
- Lot numbering code (Y, M) (ロット番号 (年、月))
Y: Year 2:2002, 3:2003...
(Y:年 2:2002年、3:2003年...)
M: Month 1:Jan, 2:Feb, 3:Mar...
(M:月 1:1月、2:2月、3:3月...)



QTY.	ITEM	PART NAME	MATERIAL	FINISH, OTHER
2	3	Locking tab (固定金具)	Brass (黄銅)	Sn-Cu over nickel plating (ニッケル下地すず-銅めっき)
50	2	Pin contact (ピンコンタクト)	Copper alloy (銅合金)	See table-2 (表-2参照)
1	1	Insulator (インシュレータ)	High temperature plastic (耐熱性樹脂)	Color: Black, UL94V-0 rated (色: 黒色, UL94V-0適合品)

APPROVED	DESIGNED	GENERAL TOLERANCE	TITLE
CHECKED	DRAWN BY	DIMENSIONS	ANGLE
S. Kuboi	T. Yoshimi	±0.40	MCD-CEN750PH-FG (1.27mm Pitch, 50-Pin, Pin Connector) (For CompactFlash (CF))
Dec. 23, 2002	Dec. 23, 2002	±3°	
S. Kuboi	T. Yoshimi	4/1	DRAWING NUMBER G-502454 (1/2)
Dec. 23, 2002	Dec. 23, 2002	mm (inch)	



SYM	DATE	ZONE	DESCRIPTION	DESIGNED	CHECKED	APPROVED DATE
B	Mar. 24, 2003					
C	May. 23, 2003					

品名構成 (Part numbering code)

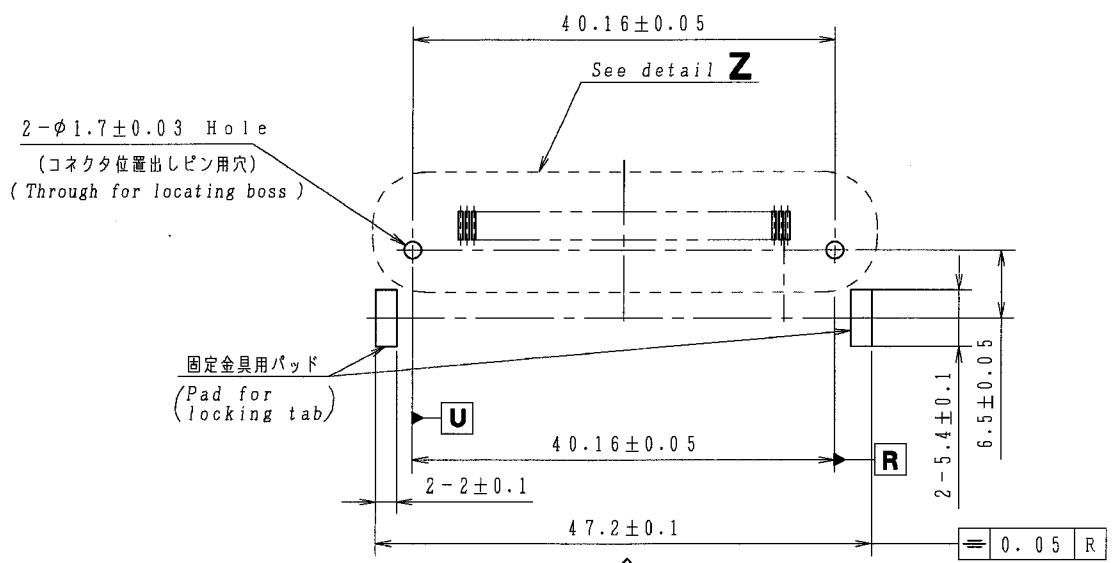
MCD-CEN750PH-FG

1 2 3 4 5 6 7 8

- シリーズ名 (Series name)
MCD:メモリーカード用コネクタシリーズ
(Memory card connector series)
- コネクタスタイル (Connector style)
C:コンパクトフラッシュ用コネクタ
(For compactflash (CF) connector)
- イジェクタ機構の有無及び位置
(Existence and location of eject unit)
EN:イジェクタ機構無し (Without eject unit)
- 嵌合側コンタクトピッチ (Contact mating side pitch)
7:1.27mm
- 芯数 (Number of contacts)
50:50芯 (50 Contacts)
- 嵌合スタイル (Mating style)
P:プラグコネクタ (Plug connector)
- コネクタ形状及びコンタクト表面処理
(Connector shape and contact plating)
H:コンパクトフラッシュタイプI及びタイプIIカード対応、
固定金具付き
(For compactflash type-I and type-II card,
with locking tab
コンタクト表面処理:表-2参照
(Contact plating: See table-2)
- コンタクトテール部表面処理 (表-2参照)
(Contact tail area plating (See table-2))
-FG:金フラッシュめっき
(Gold flash plating)

Specifications (仕様)

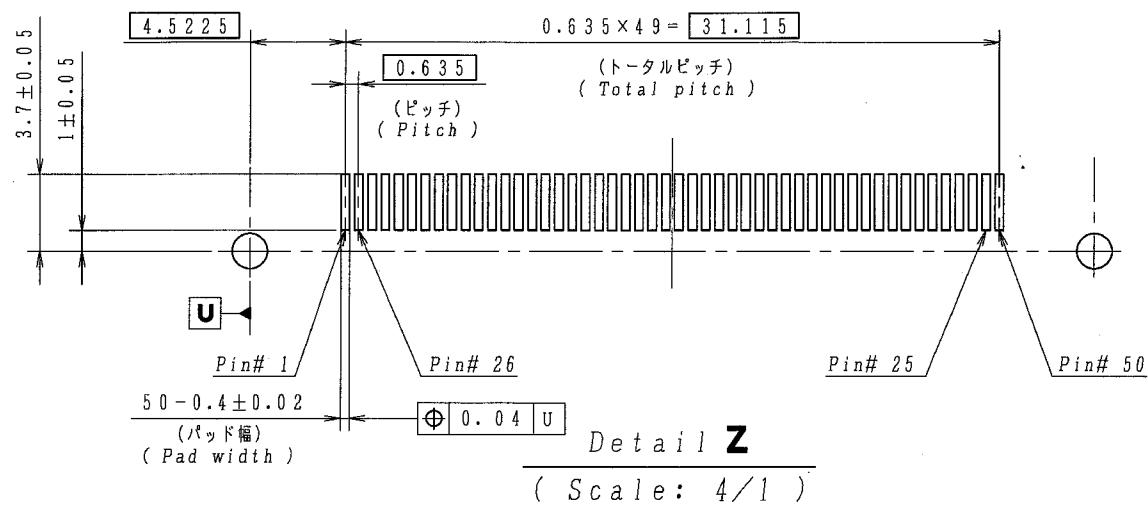
- Voltage rating (定格電圧)
: 125 V r.m.s.
- Current rating (定格電流)
: 0.5 A/Contact
- Dielectric withstanding voltage (耐電圧)
: 500 V r.m.s. for 1 minute at sea level
- Insulation resistance (絶縁抵抗)
: 1000 MΩ min. at 500 V d.c.
- Contact resistance (Initial) (接触抵抗 (初期))
: 40 mΩ max. at 1 mA d.c.



カード挿入方向
(The direction of inserting card)
推奨基板取り付け寸法図
(Recommended PCB mounting dimensions)
コネクタ搭載面から見た図
(Connector mounting side view)
推奨基板厚さ
(Recommended PCB thickness)
t=1±0.15

Table-2 (Contact plating)
(表-2 コンタクト表面処理)

Part number (品名)	Part name	Mating area (接触部)	Termination area (はんだ付け部)
MCD-CEN750PH-FG	Pin contact	Gold (0.2 μm Minimum) over nickel plating (ニッケル下地金 (0.2 μm以上) めっき)	Gold (Flash) over nickel plating (ニッケル下地金 (フラッシュ) めっき)
	Locking tab	Sn-Cu over nickel plating lead free plating (ニッケル下地すず銅めっき) 鉛フリーはんだめっき	



Detail Z
(Scale: 4/1)

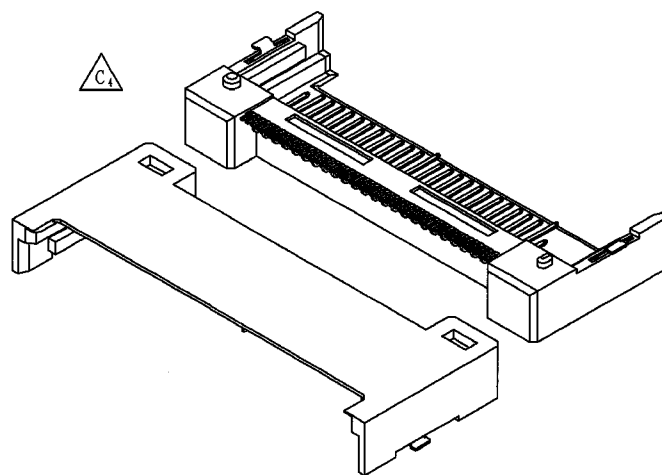
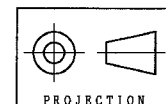


図-1 立体図
Figure-1 solid drawing



QTY.	ITEM	PART NAME	MATERIAL	FINISH, OTHER
	APPROVED	DESIGNED	GENERAL TOLERANCE	TITLE
	S. Kuboi	T. Yoshimi	±0.40 ±3°	(1.27mm Pitch, 50-Pin, Pin Connector) (For CompactFlash (CF))
	Mar. 17, 2003	Dec. 23, 2002		MCD-CEN750PH-FG
	CHECKED	DRAWN BY	SCALE	UNIT
	S. Kuboi	T. Yoshimi	4/1	mm
	Mar. 17, 2003	Dec. 23, 2002		(inch)
				DRAWING NUMBER
				G-502454 (2/2)
				REV.
				C