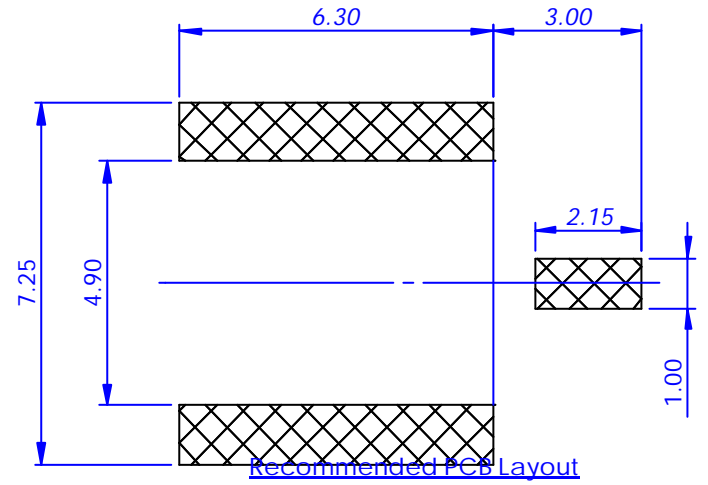
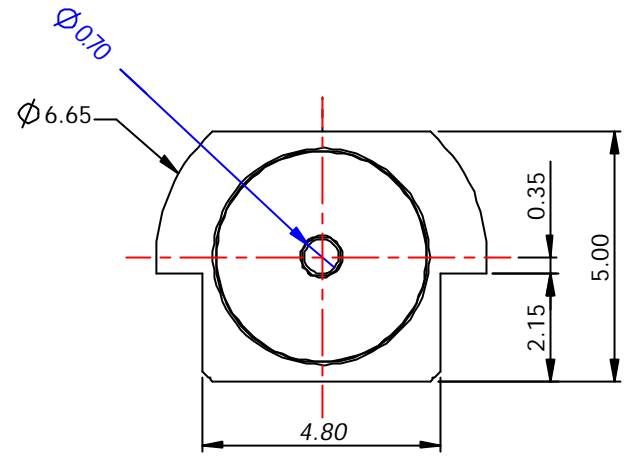
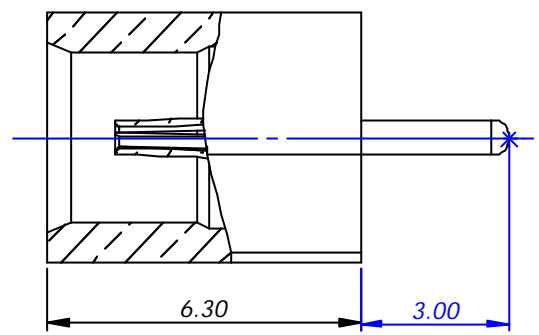
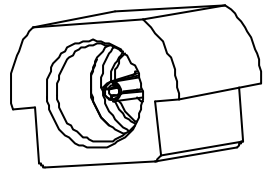


REV.	DESCRIPTION	DRAWN	ECN	DATE
1	SAMPLE RELEASE (3102-0074)	Iris	S05-030	6-20'2005
A	NEW RELEASE(3107-0787)	ERIC	05-227	7-25'2005



- ELECTRICAL PERFORMANCE :**
1. Impedance : 50 ohms
 2. Frequency Range : DC~ 3.0GHz
 3. Working Votage : 170 V rms.
 4. Dilectric Withstanding Votage: 500 Vrms.
 5. Insulation Resistance: 1000 Megohms.

ITEM	DESCRIPTION	MATERIALS	FINISHED
3	CONTACT	Be. COPPER	GOLD30U"
2	INSULATOR	TEFLON	
1	BODY	BRASS	GOLD

UNLESS OTHERWISE SPECIFIED ALL TOLERANCES ARE :			
DIMENSION		ANGLE	
INTEGRAL DIMENSIONS	±1.0	ANGULAR DIMENSIONS	±5.0
1 PLACE DECIMAL	±0.5	HOLES UNDER ϕ 0.5	±0.1
2 PLACE DECIMALS	±0.25	ROUGHNESS	
	FINISH:SEE TABLE		MATERIAL: SEE TABLE



DRAWN BY:	Iris	DATE:	6-20'2005
ENGR BY:	Iris	DATE:	6-20'2005
APVD BY:		DATE:	

TITLE: 75 OHM MCX ST.JACK EDGE MOUNT RECEPTACLE			
Model NO:		29001	
Drawing NO: 12-29001			
UNIT:	MM	SIZE:	A4
SCALE:	7:1	SHEET:	1 OF 1
CAD FILE : Z:\NEW Dwg\29XXX\29001			