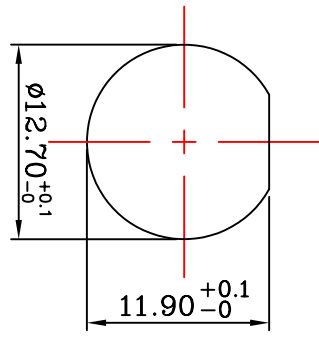


RECOMMENDED  
PCB HOLE



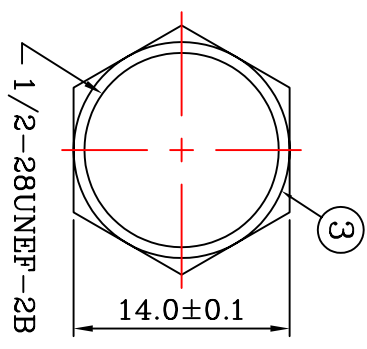
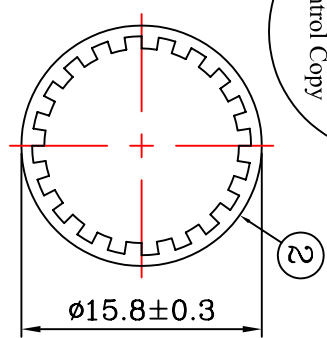
RECOMMENDED  
PANEL HOLE

**NOTES:**

1. NOMINAL IMPEDANCE: 50 OHMS.
2. FREQUENCY RANGE: 0-4 GHz.
3. MAX PEAK VOLTAGE: 500V.
4. INSULATION RESISTANCE: 5000 MEGOHMS MIN.
5. DIELECTRIC WITHSTANDING VOLTAGE: 1500 VOLTS RMS.

ORDER NO.	BRAND/COLOR
3111-010A	NONE/WHITE
3111-110A	IO /WHITE
3111-020A	NONE/BLACK
3111-120A	IO /BLACK

ITEM	DESCRIPTION	MATERIAL	FINISHED	PART NUMBER	Q'TY
3	NUT	BRASS	NICKEL	073000-109	1
2	LOCK WASHER	SK-5	NICKEL	083000-509	1
1	CONTACT	P.BRONZE	GOLD+TIN	3111-***A1	1
	GROUNDING	Cu COVERED STEEL	TIN		
	INSULATOR	P.P	NONE		
	BODY	ZINC ALLOY	NICKEL		
	HOUSING	PBT+30%G.F.	NONE		
	POST	BRASS	TIN		



D.C.C.  
2001/02/21  
Control Copy

REV.	DESCRIPTION	ECN	DRAWN	DATE	TOLERANCES: DIM. XX=±0.3 UNTT. mm XXX=±0.15	TITLE: BNC R/A JACK PCB RECEPTACLE	DESIGNED:	DRAWN: 林藝芳 09.05.96	CHECKED:	APPROVAL:	SHEET: 1 OF 1	SCALE: 2:1	LAYER: ASY	REV. F	P/No.: S-3111-***A
F	SEE ECN.	01-064	TINA	02-20'2001											
E	SEE ECN.	99-163	ANGELA	04/28'99											
D	SEE ECN.	98-404	ANGELA	12/29'98											
REVISIONS															
INPUT OUTPUT															